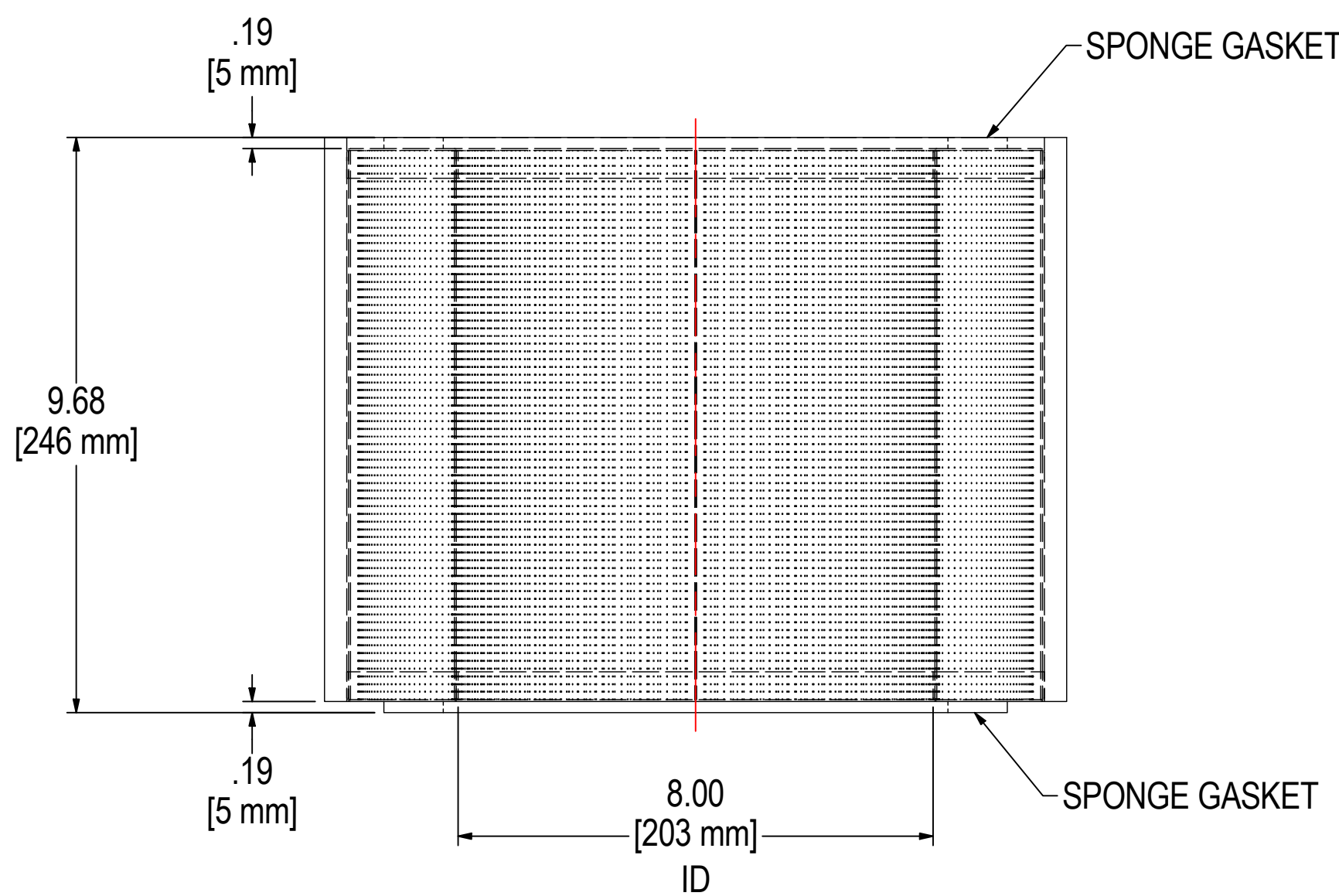
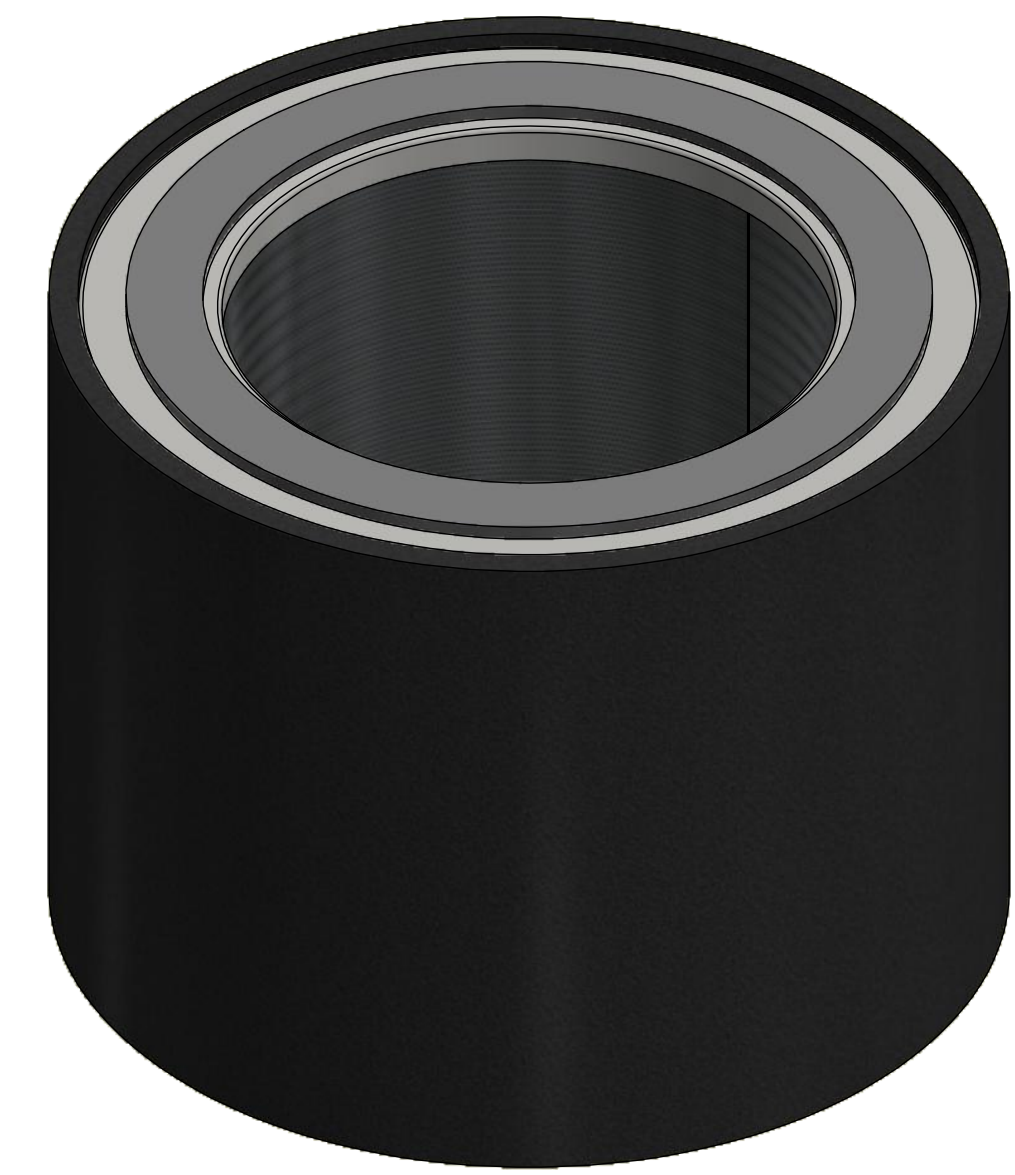
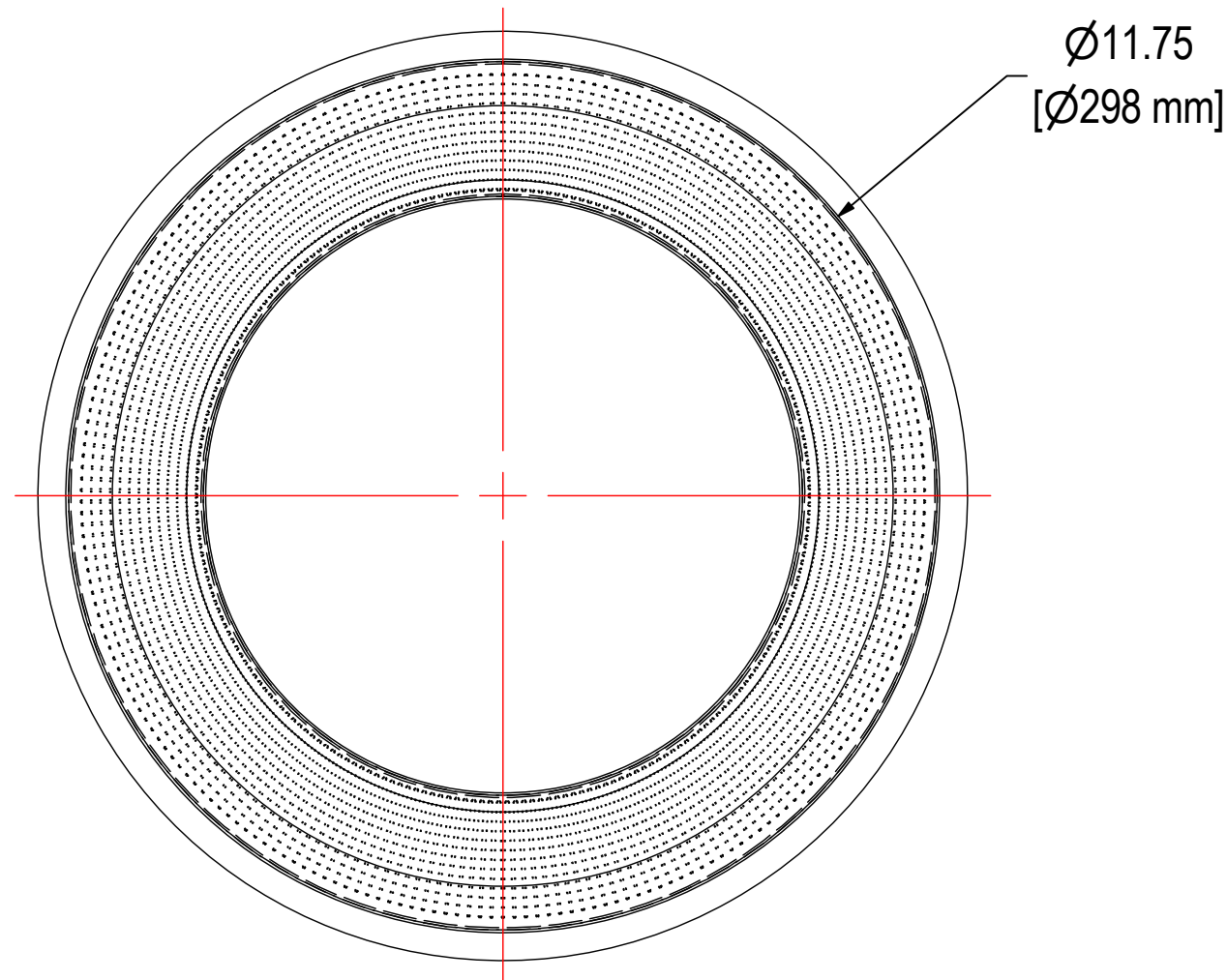


REV	DESCRIPTION	ECN #	CHG BY	DATE	APP'D
A	UPD TITLE BLOCK, ADD METRIC SPECS, CHNGD HT	-	DDH	06/10/15	CRW
B	UPDATED TO 3D	WEB	NAD	09/03/19	EZR



ELEMENT SPECS		
PART NUMBER	274P	
MATERIAL	PAPER	
FLOW RATE	1100 CFM	1869 m ³ /hr
SURFACE AREA	44.0 ft ²	4.1 m ²
I.D.	8.00"	203mm
O.D.	11.75"	298mm
HEIGHT	9.68"	246mm

SOLBERG[®]
 Filtration • Separation • Silencing
 630.773.1363 • www.solbergmfg.com

THE INFORMATION CONTAINED HEREIN IS CONFIDENTIAL AND THE PROPERTY OF SOLBERG MANUFACTURING INC. AND IT IS FURNISHED TO YOU WITH THE EXPRESS UNDERSTANDING THAT IT WILL NOT BE REPRODUCED, COPIED IN ANY MANNER, LOANED OR OTHERWISE TRANSFERRED TO OTHERS ENTIRELY OR IN PART, NOR USED FOR ANY PURPOSE OTHER THAN FOR WHICH IT WAS FURNISHED. IT WILL BE RETURNED UPON REQUEST TO SOLBERG MANUFACTURING INC. THE ABOVE RESTRICTION IS IN ADDITION TO, AND DOES NOT IN ANY WAY ALTER, ANY OTHER RESTRICTIONS WHICH MAY APPLY TO THE INFORMATION CONTAINED HEREIN.

TOLERANCES
 DIMENSIONS ARE FOR REFERENCE ONLY. ALL DIMENSIONS ARE SUBJECT TO CHANGE UPON PRODUCTION.
 UNLESS OTHERWISE SPECIFIED:
 -DIMENSIONS ARE IN INCHES
 -REF: APPROXIMATE DIMENSIONS, NO TOLERANCES APPLY
 -FINISH: BREAK EDGES TO .005-.020 RADIUS/CHAMFER

MODEL NUMBER: 274P		SHEET: 1 OF 1	
DESCRIPTION: 274P, PAPER			
PROJECT: SD11985	DRAWN BY: CRW DATE: 8/22/2005	APPROVED BY: A.A. DATE: 8/22/2005	REV: B